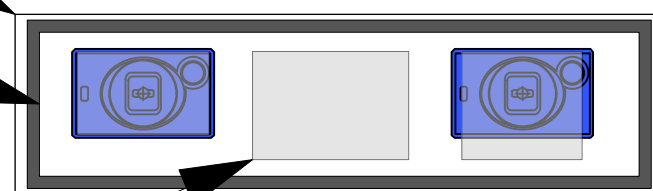


Interior of Shell
 Interior Support
 (steel structure)

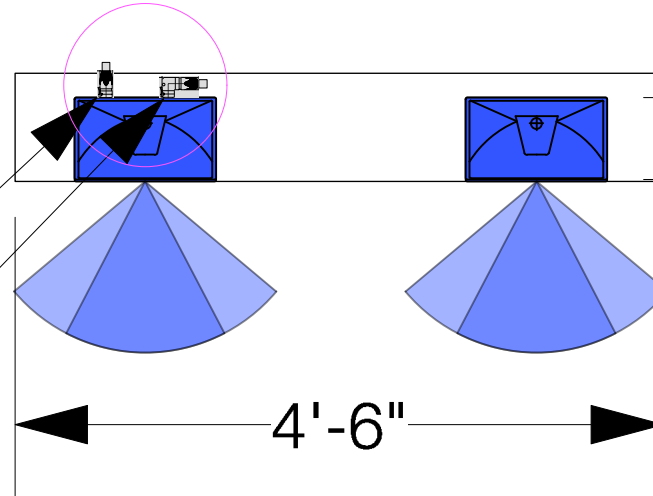
TOP



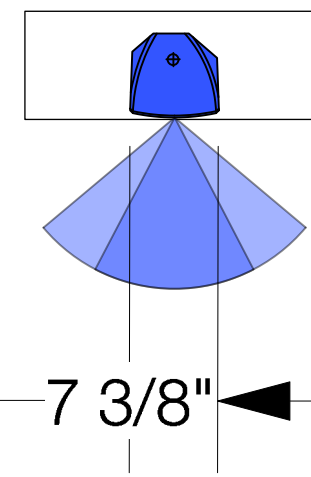
1'-0"

Existing Holes

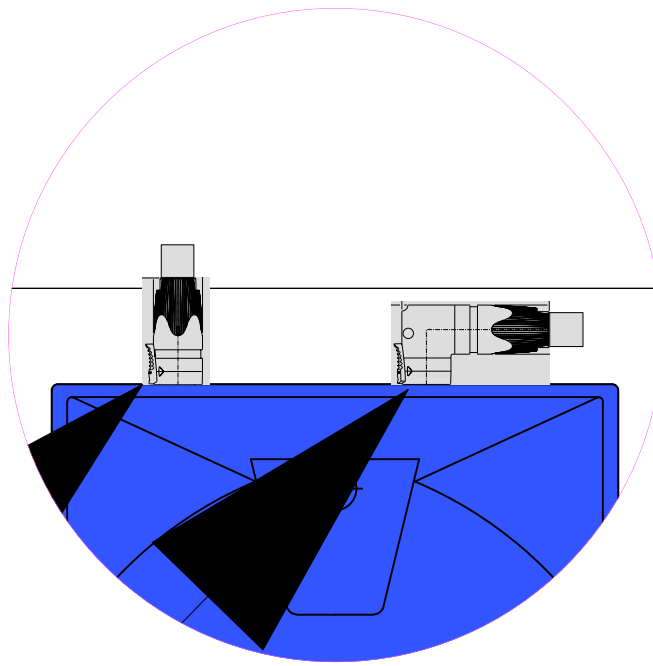
FRONT



SIDE



NL2 Regular Option
 (too tall)
 NL2 Angled Option



NL2 Connector Close-Up
 Scale: 3" = 1'-0"

Jeff Sherwood
 Sound Design

Associate

Sound Engineer Adam Lewis

Rev.	By	Notes

General Notes
 2@d&B E6 loudspeakers mounted
 within existing Pianoforte shell

Purdue University Theatre Presents

*Miss
 Bennet
 Christmas at
 Pemberley*
 by Lauren Gunderson
 & Margot Melcon

Director Kristine Holtvedt

Scenic Designer Kate Cardinelli

Lighting Designer Baxter C. Chambers

Costume Designer Caroline Rein

Drawn By JRS

DISCLAIMER: The designer is responsible for the aural aspects of the production only, and all specifications provided relate solely to the appearance of the sound system and not to matters of electrical or structural soundness and/or safety. The implementation of this design must comply with the most stringent applicable federal and local safety and fire codes. The designer is not qualified to determine the electrical or structural appropriateness of the design and will not assume responsibility for damages resulting through improper engineering and/or implementation in the handling of the elements of the sound design. The designer agrees to make prompt alterations to any specification found to be incompatible with proper safety precautions.

Pianoforte Speakers

PFS

Scale 3/4" = 1'-0"

Revision JRS - 9/30/19

Plate # **01** of 2

